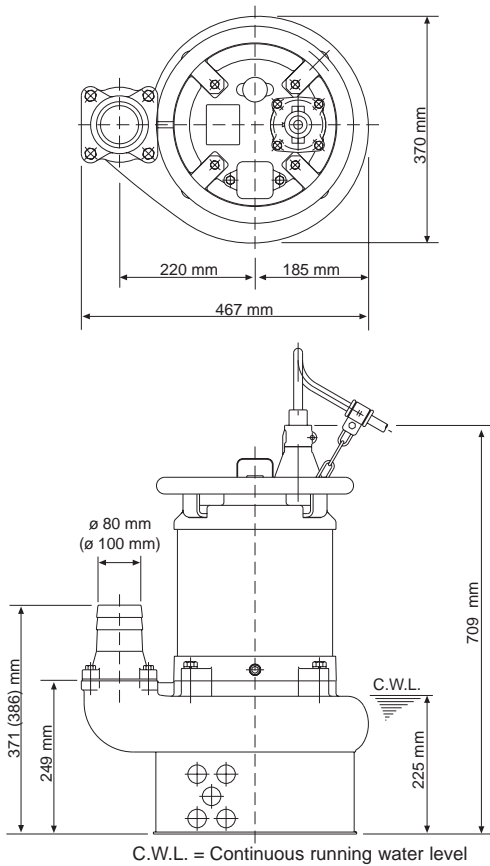
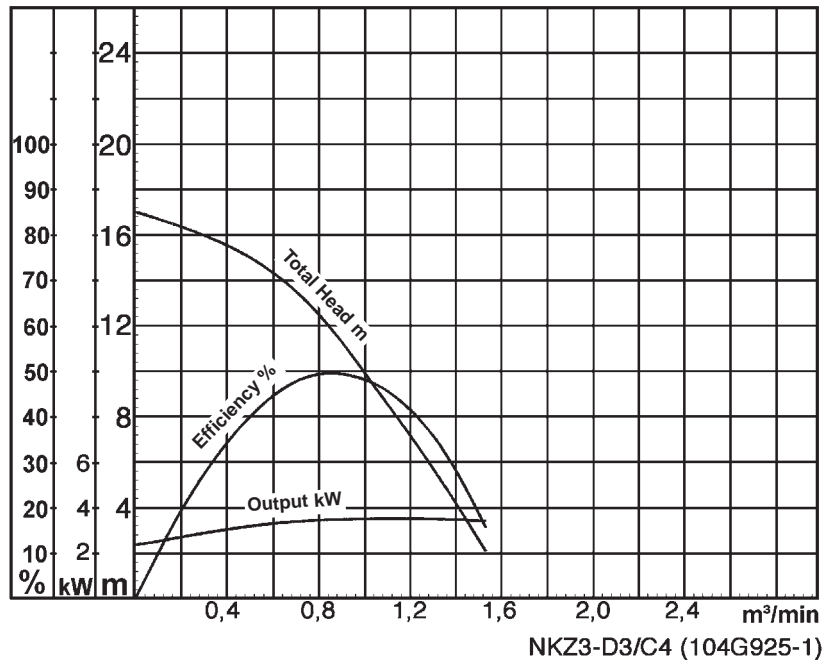


Data Sheet NKZ3-D3/C4



**NKZ3-D3
(NKZ3-C4)**



Classification

Electric submersible pump
 Protection class IP68
 Depth of submersion max. 30m
 Open type impeller with Agitator
 Max. solid handling 30mm
 Suitable for sludge, slurry, liquids containing sandy mud and bentonite

Electric Motor

Dry-type submersible induction motor,
 Insulation class E, 4 poles, 1410 r.p.m.
 Direct on line start
 Voltage: 400V, 50Hz, 3-phase
 Power input: 4,74kW
 Power output: 3,70kW
 Nominal current: 8,0A
 Start current: 50,0A

Electric Cable

20m H07RN-F 4Cx1,5mm²

Motor Protection

Circle thermal protector
 (snap-action bi-metal device)

Shaft Seal

Double mechanical seal in oil bath
 additional lubrication by oil lifting device
 Primary Seal:
 silicon carbide on silicon carbide
 Secondary Seal:
 silicon carbide on silicon carbide

Bearings

Shielded ball bearings, maintenance-free

Materials

Impeller:	FCD700 (EN-GJS-700-2)
Agitator:	FCD700 (EN-GJS-700-2)
Casing:	FC200 (EN-GJL-200)
Suction Plate:	FC200 (EN-GJL-200)
Motor frame:	FC150 (EN-GJL-150)
Shaft:	SUS420J2 (EN X30Cr13)

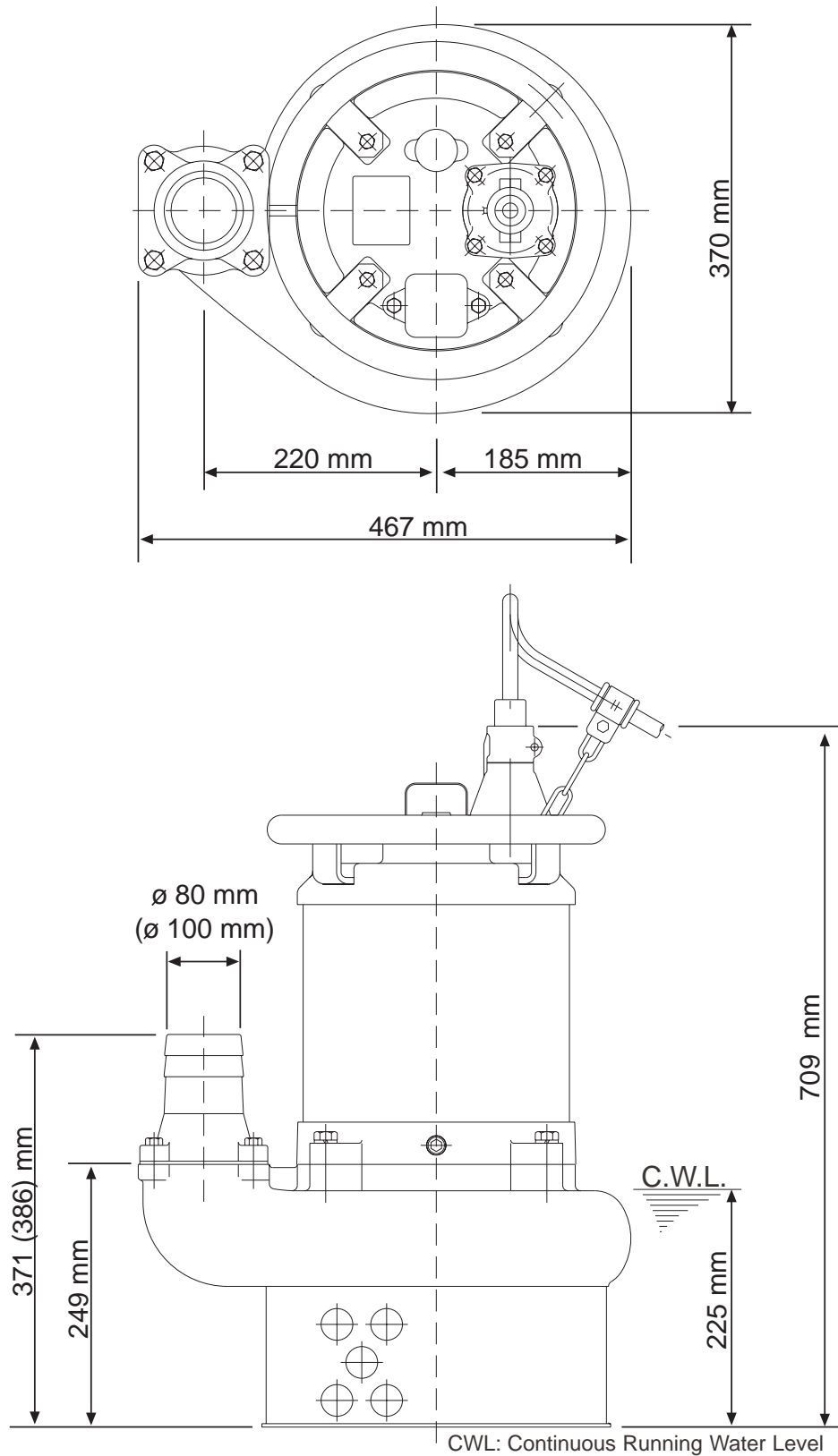
Discharge Connection

3" (80mm) / 4" (100mm) hose coupling

Weight

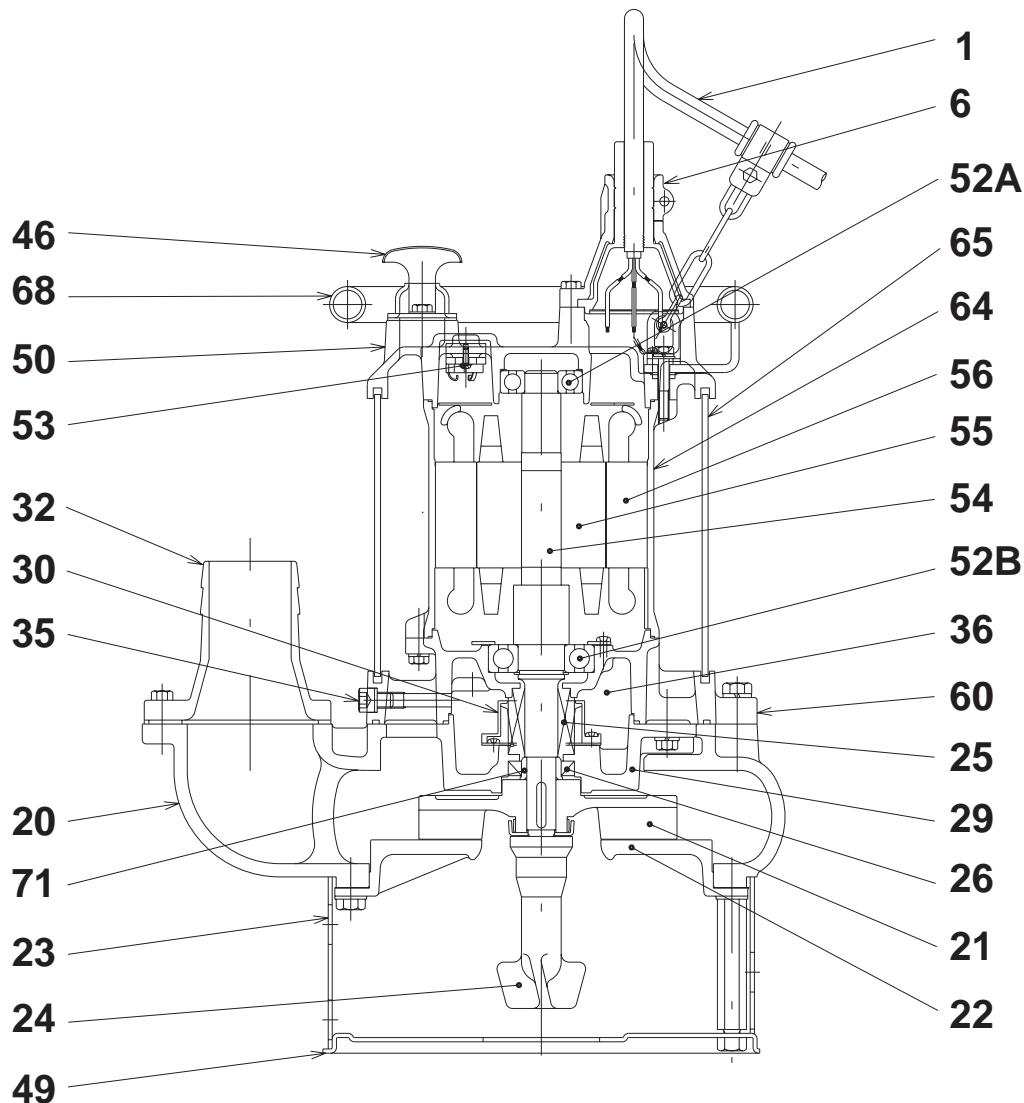
100 kg (dry weight of the pump without cable)

Dimensional Drawing NKZ3-D3/C4



**NKZ3-D3
(NKZ3-C4)**

Sectional Drawing NKZ3-D3/C4



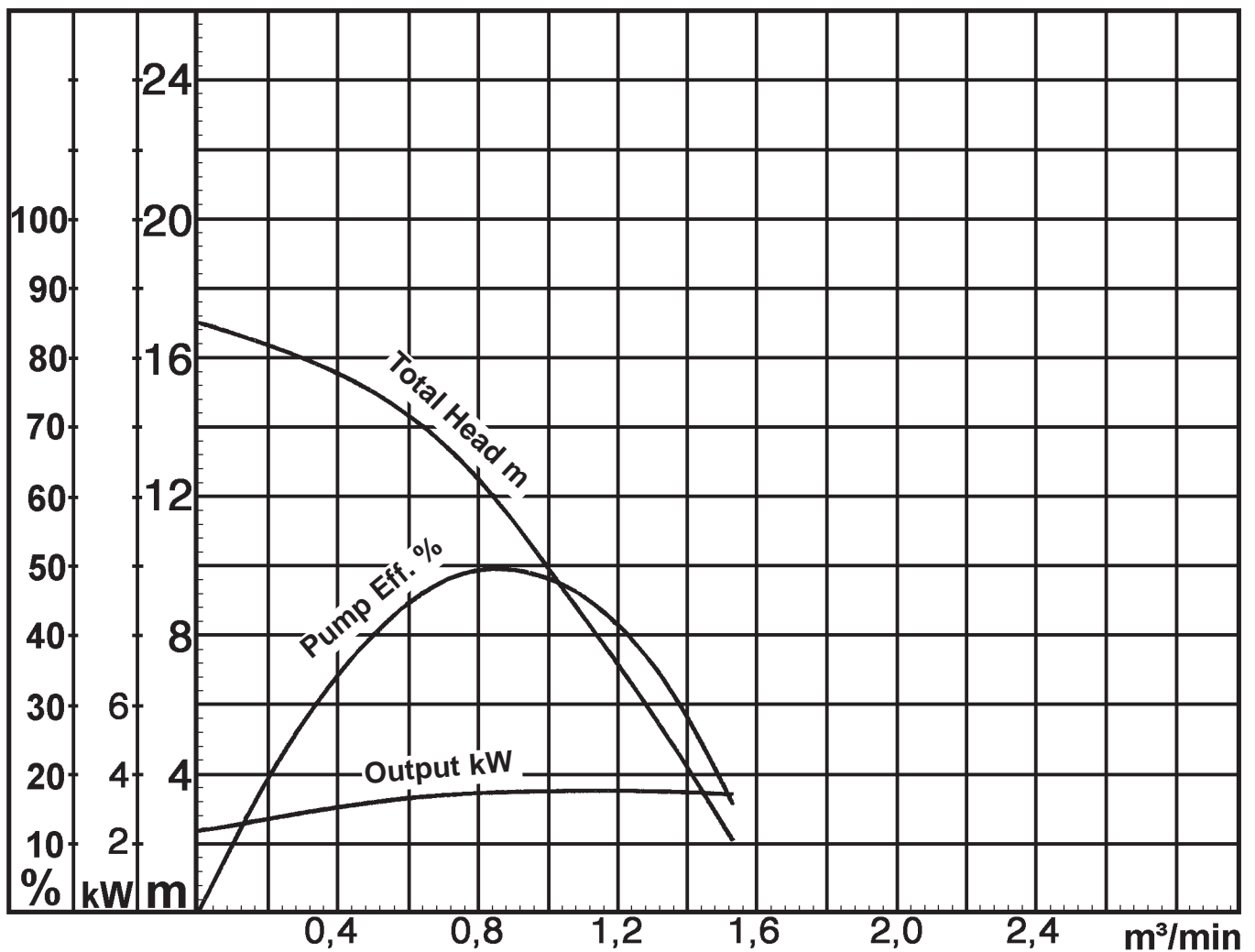
NKZ3-D3/C4

No.	Description	Qty.	Remarks	No.	Description	Qty.	Remarks
1	Cabtyre Cable	1	20m H07RN-F 4Cx1,5mm ²	50	Motor bracket	1	FC150 (EN-GJL-150)
6	Stuffing Box	1	FC200 (EN-GJL-200)	52A	Upper Bearing	1	
20	Pump Casing	1	FC200 (EN-GJL-200)	52B	Lower Bearing	1	
21	Impeller	1	FCD700 (EN-GJS-700-2)	53	Motor Protector	1	
22	Suction Cover	1	FC200 (EN-GJL-200)	54	Shaft	1	SUS420J2 (EN X30Cr13)
23	Strainer Stand	1	Steel Plate SPC	55	Rotor	1	
24	Stirrer	1	FCD700 (EN-GJS-700-2)	56	Stator Complete	1	
25	Mechanical Seal	1	H-25	60	Bearing Housing	1	FC150 (EN-GJL-150)
26	Oil Seal	1		64	Motor Frame	1	FC150 (EN-GJL-150)
29	Oil Casing	1	FC200 (EN-GJL-200)	65	Outer Cover	1	SS400 (DIN 1.0040)
32	Hose Coupling	1	FC200 (EN-GJL-200)	68	Handle	1	Galvanized Steel Pipe SGP
35	Oil Plug	1	SUS304 (EN-X5CrNi18-10)	71	Shaft Sleeve	1	SUS403 (EN X6Cr13)
36	Lubricant		Turbine Oil (ISO VG32)				
46	Air Release Valve	1	Steel Plate SPC				

Pump Performance Curve

NKZ3-D3/C4

Discharge Bore	80/100 mm
Total Head	15/10 m
Capacity	0,5/1,0 m ³ /min
Motor Output	3,70 kW
Motor Input	4,74 kW
Phase	3
Voltage	400 V
Frequency	50 Hz
Rated Current	8,0 A
Starting Current	50 A
Poles	4
Revolution	S.S. 1410 r.p.m.
Starting Method	direct on line
Insulation Class	E



NKZ3-D3/C4 (104G925-1)